

SECTION K, OUTDOOR COMMUNICATION ENCLOSURES, 7000 SERIES

FIGURE NUMBER	DESCRIPTION	PAGES
	GENERAL INFORMATION.....	K-ii
	OUTDOOR COMMUNICATION ENCLOSURES CATALOG ORDERING FORM.....	K-iii
FIG. 007060	OUTSIDE PLANT CABINET, 7060 SERIES.....	K-1 TO K-8
FIG. 007100	OUTSIDE PLANT CABINET, 7100 SERIES.....	K-9 TO K-15
7100 ACCESSORIES		
FIG. 214932	SWING-OUT EQUIPMENT RACK OPTION	K-16
FIG. 215031	AIR CONDITIONING OPTION	K-17
FIG. 215035	HEAT EXCHANGER OPTION	K-18
FIG. 215037	115 VAC WIRING OPTION.....	K-19
FIG. 215061	INTERIOR LIGHTING OPTION	K-20
FIG. 215023	MOUNTING TEMPLATE	K-21

OUTDOOR COMMUNICATION ENCLOSURES

GENERAL INFORMATION

THE TWO OUTSIDE PLANT (OSP) CABINETS AND THEIR VARIOUS OPTIONS INCLUDED IN THIS CATALOG ARE REPRESENTATIVE OF THOSE AVAILABLE FROM NEWTON. ADDITIONAL OSP CABINETS ARE INCLUDED IN NEWTON'S OUTDOOR COMMUNICATION ENCLOSURES CATALOG (CATALOG 18).

FOR ADDITIONAL INFORMATION, PLEASE COMMUNICATE WITH YOUR NEWTON CUSTOMER SERVICE REPRESENTATIVE.

PHONE: (919) 575-6426

FAX: (919) 575-4708

OR VISIT OUR WEB SITE: www.newtoninst.com

OUTDOOR COMMUNICATION ENCLOSURES CATALOG ORDER FORM

CONTACT US TODAY AND REQUEST OUR COMPLETE OUTDOOR COMMUNICATION ENCLOSURES CATALOG.

- USE OUR ON-LINE CATALOG REQUEST FORM AT www.newtoninst.com.
- CALL US AT (919) 575-6426
- FAX YOUR REQUEST TO (919) 575-4708
- EMAIL US AT info@newtoninst.com
- MAIL THIS COMPLETED FORM TO:

NEWTON INSTRUMENT COMPANY, INC.
111 EAST A STREET
BUTNER, NC 27509-2426
ATTN: MARKETING COORDINATOR

PLEASE PROVIDE THE FOLLOWING INFORMATION (PLEASE PRINT):

LAST NAME _____

FIRST NAME _____

TITLE _____

COMPANY NAME _____

STREET ADDRESS _____

P.O. BOX / MAIL STOP _____

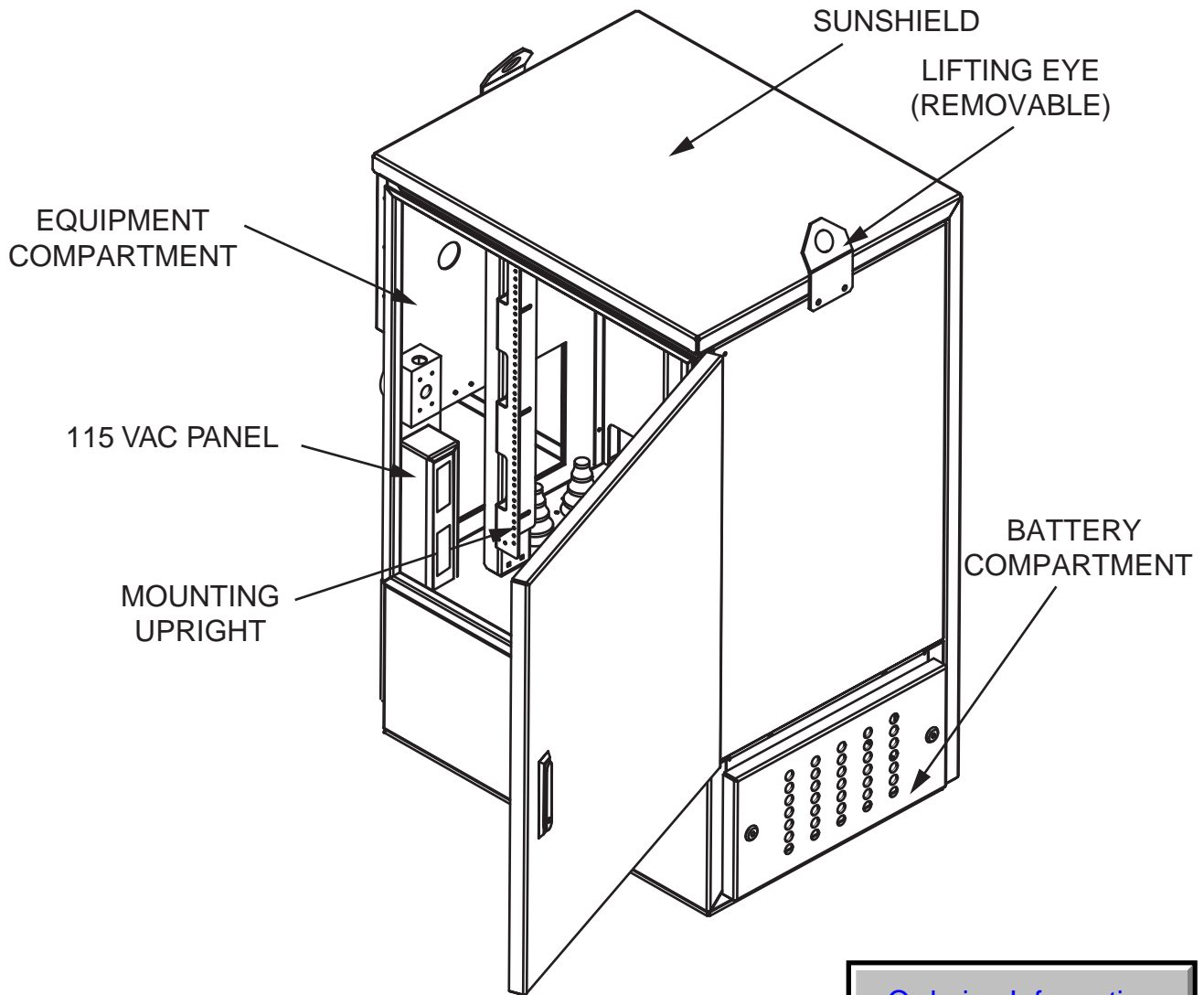
CITY _____

STATE _____ ZIP CODE _____

PHONE _____ FAX _____

EMAIL _____

NUMBER OF COPIES REQUESTED _____

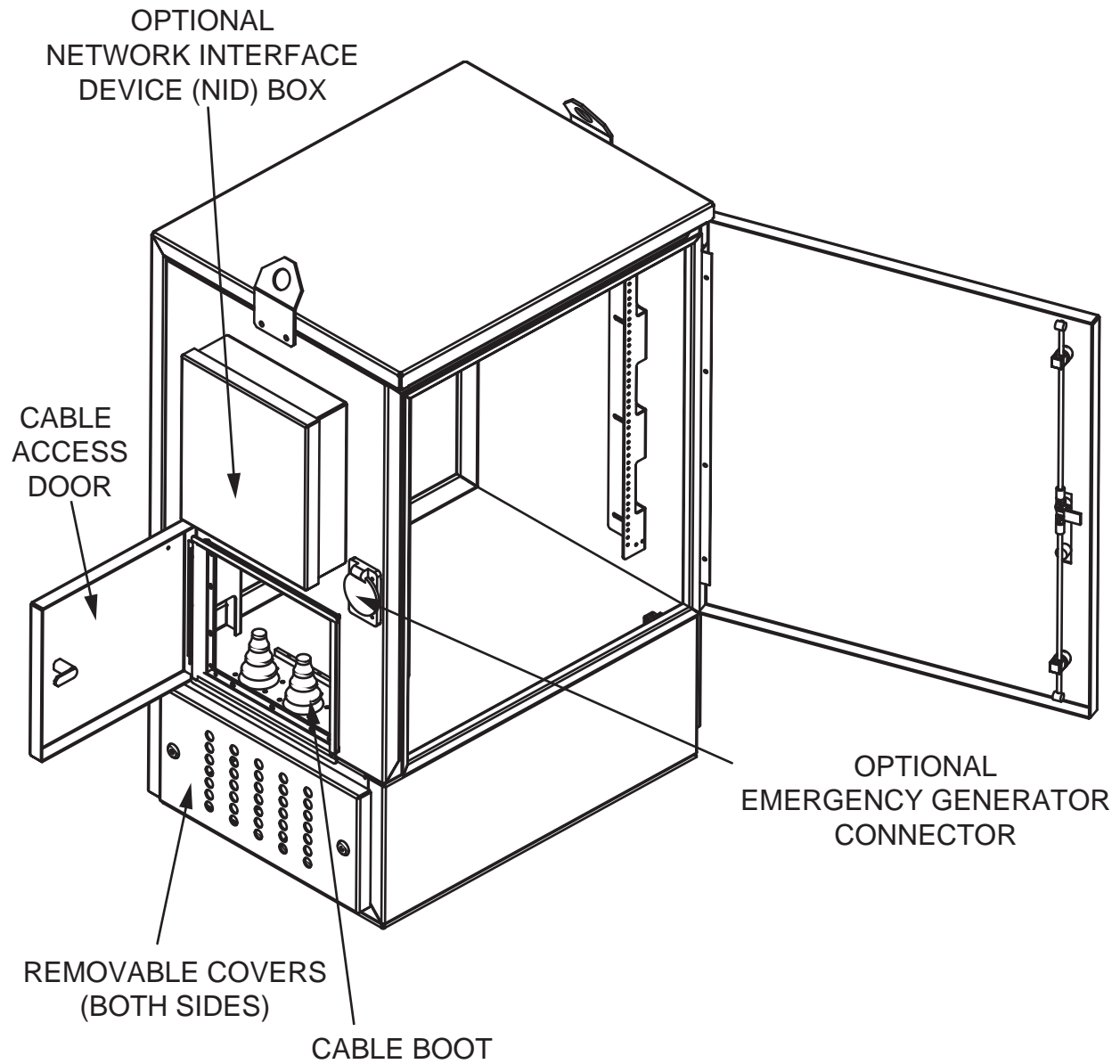


[Ordering Information](#)

OUTSIDE PLANT CABINET, 7060 SERIES

ORDERING NUMBER: 2155140095

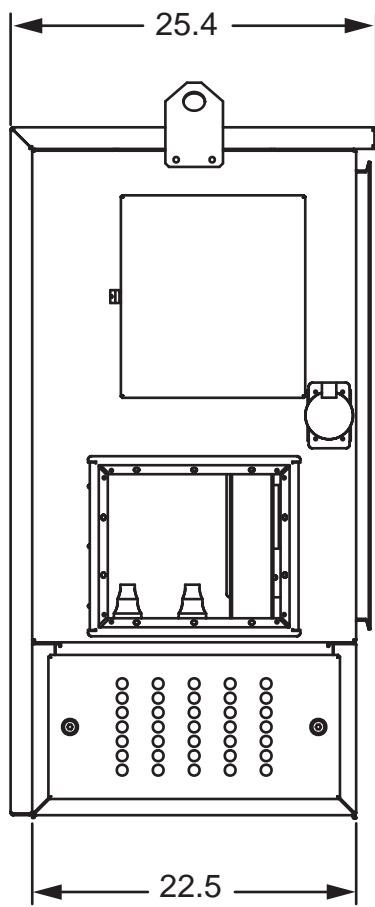
FIG. 007060



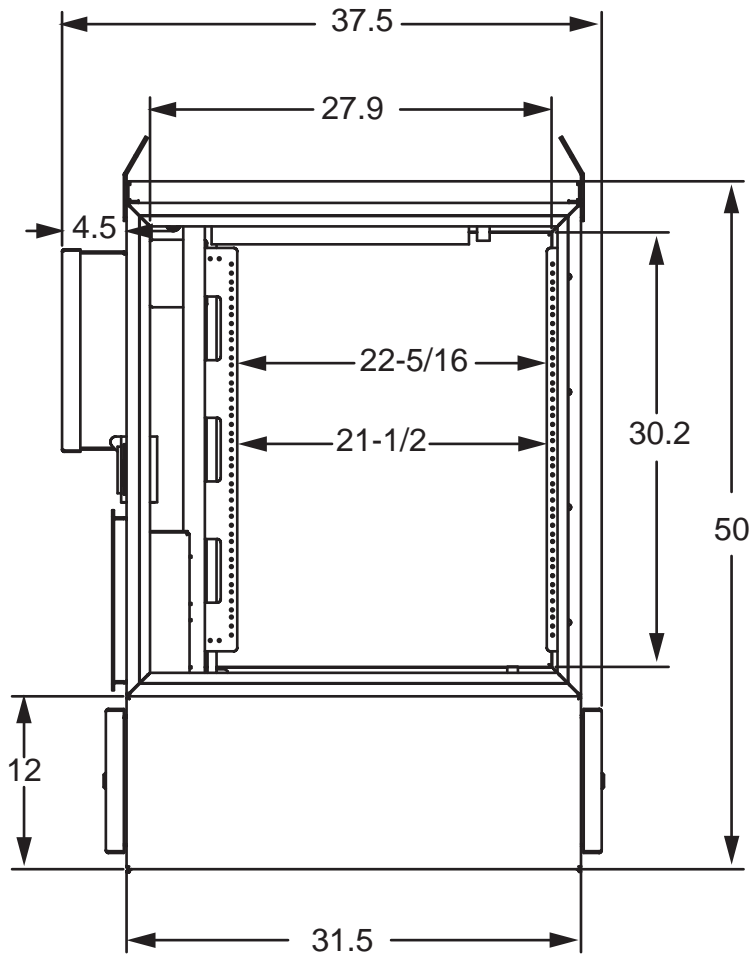
OUTSIDE PLANT CABINET, 7060 SERIES

ORDERING NUMBER: 2155140095

FIG. 007060



LEFT VIEW



FRONT VIEW

OUTSIDE PLANT CABINET, 7060 SERIES

ORDERING NUMBER: 2155140095

FIG. 007060

NOTES:

1. Houses and protects electronic and fiber optic equipment, associated components, and cabling from the environment and unauthorized access.
2. Designed to meet the applicable portions of Bellcore GR-487-CORE, entitled "Generic Requirements for Electronic Equipment Cabinets."
3. Outside dimensions (nominal): Cabinet with Battery Compartment: 37.5" W x 25.5" D x 50" H; approximately 150 pounds (w/o batteries and options).
4. Fabricated from 1/8" aluminum alloy (5052-H32), welded construction. Autumn White painted finish (interior and exterior); others available on request.
5. Designed for pole, H-fixture, or pad mounting via optional mounting kits.
6. Lockable access to each separate compartment:
Main Equipment, approximately 15 cu. ft.; meets NEMA 4X.
Cross-connect / Protection, meets NEMA 4X.
Standby Battery, approximately 1.5 cu. ft.; meets NEMA 3R.
7. Main Equipment Compartment includes one fixed equipment rack.
Rack provides 26" of vertical mounting space, 23" width; 250 pound capacity.
EIA Universal hole pattern (5/8" - 5-8" -1/2"); 12-24 tapped.
8. Environmental control (Main Equipment Compartment only):
Heat sink (mounted at rear of cabinet).
Optional Thermostatically controlled high-speed fans (for up to 200 Watt internal heat load).
9. Cross-connect / Protection provision:
Area for mounting a variety of cable termination, cross-connect, and/or VF/HF protection devices (solid state or gas tube).
10. Standby Battery provision:
Separate, lockable vented compartment; 150 pound weight capacity.
Standby batteries accessible from both sides of Battery Compartment; houses user-provided batteries (Johnson Controls TEL-12-30, Hawker HB-30, or equivalent sized battery).
11. Variety of options, such as equipment rack with other hole patterns, "door open" alarms, battery heater, Mounting Pedestal, etc.
12. Custom configurations on request.

ORDERING NUMBER: 2155140095

OUTSIDE PLANT CABINET, 7060 SERIES

FIG. 007060

FIGURE 7060 ORDERING INFORMATION

A. GENERAL

The 7060 Series Outside Plant (OSP) Cabinet, Ordering Number **2155140095**, is modular in design, allowing the user to select from a variety of options. The basic cabinet includes the following:

1. Sunshield.
2. Battery Compartment.
3. One set of Mounting Uprights, 19" / 23" equipment mounting width, EIA Universal Hole pattern (5/8" - 5/8" - 1/2"), 12-24 tapped front and rear.
4. Provision for Emergency Generator Connector (Hubbell 2715 type).
5. Ground strip.
6. Two booted cable entrance holes.
7. Lifting eyes (removable).

B. USER-SPECIFIED OPTIONS

The following options are user-selected and are added to (or replace) the cabinet items described in item A (above) prior to shipment of the OSP cabinet assembly. Refer to the example in item C.

1. **Blank Panel.** Mounted at the rear of the Main Compartment when a Heat Sink (item B5) or Heat Exchanger (item B10) is not selected. Generally specified when only passive devices are mounted in the cabinet. Include Ordering Number **157030095** to specify this feature.
2. **Network Interface Device (NID) Box.** Provides customer / telco lockable access to NIDs mounted inside the box. Includes mounting studs for an 89B Bracket, which accepts a variety of customer-provided NIDs. Include Ordering Number **2163120095** to specify this feature.
3. **Document Pocket.** Mounted to the inside of the front door to provide storage for a 3-ring notebook or similar document. Include Ordering Number **2157420095** to specify this feature.
4. **Door Switch Kit.** Provides a means to provide a "door open" alarm (or other customer-defined use). The switch is normally open when the door is closed and includes a reset feature for authorized entry. When specified, four switches are provided: one switch is mounted for the Equipment Compartment door, one is mounted for the Cable Access door, with one for each side of the Battery Compartment. Include Ordering Number **2156250000** to specify this feature.

ORDERING NUMBER: 2155140095

OUTSIDE PLANT CABINET, 7060 SERIES

FIG. 007060

5. **Heat Sink.** Mounted at the rear of the cabinet to improve heat removal from the cabinet's interior. Normally used in conjunction with the Interior Fan and the Exterior Fan (defined below). Include Ordering Number **2156500095** to specify this feature.
6. **Interior Fan, -48 VDC Operation.** Used in conjunction with the Heat Sink (item B5) to remove heat from the cabinet's interior. Operating from -48 VDC, the Interior Fan circulates air within the cabinet. Include Ordering Number **2156540095** to specify this feature.
7. **Exterior Fan, -48 VDC Operation.** Used in conjunction with the Heat Sink (item B5) to remove heat from the cabinet's interior. Operating from -48 VDC, the Exterior Fan circulates air across the rear side of the Heat Sink. Include Ordering Number **2157830000** to specify this feature.
8. **Interior Fan, 115 VAC Operation.** Used in conjunction with the Heat Sink (item B5) to remove heat from the cabinet's interior. Operating from 115 VAC, the Interior Fan circulates air within the cabinet. Include Ordering Number **2157670095** to specify this feature.
9. **Exterior Fan, 115 VAC Operation.** Used in conjunction with the Heat Sink (item B5) to remove heat from the cabinet's interior. Operating from 115 VAC, the Exterior Fan circulates air across the rear side of the Heat Sink. Include Ordering Number **2157780095** to specify this feature.
10. **Heat Exchanger, -115 VAC operation.** Selected when the temperature inside the cabinet's Main Compartment requires conditioning, but can be approximately 5 degrees F (or more) above the maximum outdoor (external) temperature. Include Ordering Number **2156890095** to specify this feature.
11. **115 VAC Power Option, 7060.** Includes one 20 Amp standard duplex receptacle and one 20 Amp GFCI type duplex receptacle. Recommended when any 115 VAC operated item is selected, unless other user-provided 115 VAC wiring is provided. Include Ordering Number **2156230095** to specify this feature.
12. **Interior Lighting, 7060.** Includes one fluorescent light fixture mounted at the top of the cabinet. Item B11 is recommended when this item is specified, unless other user-provided 115 VAC wiring is provided. Include Ordering Number **2157340000** to specify this feature.
13. **Emergency Generator Connector, 7060:** Order as required to provide a prewired Hubbell 2715 type Connector with a Weatherproof Cover, mounted in an outlet box with wiring for customer connection to customer-provided equipment. Include Ordering Number **2157880000** to specify this feature.

ORDERING NUMBER: 2155140095

OUTSIDE PLANT CABINET, 7060 SERIES

FIG. 007060

14. **Battery Heater, 7060:** Order as required to provide a thermostatically controlled Battery Heater. Include Ordering Number **2157540095** to specify this feature.
15. **Battery Wiring, 7060.** Provides connectorized cabling, with Amp Mate-N-Lock connectors, for attachment to four customer-provided standby batteries (Johnson Controls TEL 12-30, Hawker HB-30, or equivalent physical sized battery). Include Ordering Number **2157520095** to specify this feature.
16. **Pole Mounting Kit.** Provide means of mounting the cabinet to a pole, H-fixture, or equivalent. Include Ordering Number **2157390020** to specify this feature.
17. **Mounting Pedestal.** Used to mount the cabinet 14" above concrete pad; attaches directly to the pad or to the Mounting Template included in the Mounting Pad Kit. Provides access to cabling to the cabinet. Specify Ordering Number **2157040095** to order this item; it is recommended that this item be included as a separate purchase order line item when ordering.
18. **Mounting Pad (Template) Kit.** Provides a means of securing the cabinet to a template embedded in the concrete pad when it is poured. The cabinet can be attached directly to the Mounting Template or to the Mounting Pedestal, which is attached to the Mounting Template. Include Ordering Number **2157090010** to specify this feature; it is recommended that this item be included as a separate purchase order line item when ordering.
19. Other hole patterns available for Mounting Uprights; specify by type when required:
- 1"
 - EIA Standard (1-1/4" - 1/2")
 - M5 (metric)
 - M6 (metric)
20. For other user-required options not listed, please call or fax your Newton Customer Service Representative.

ORDERING NUMBER: 2155140095

OUTSIDE PLANT CABINET, 7060 SERIES

FIG. 007060

C. EXAMPLE

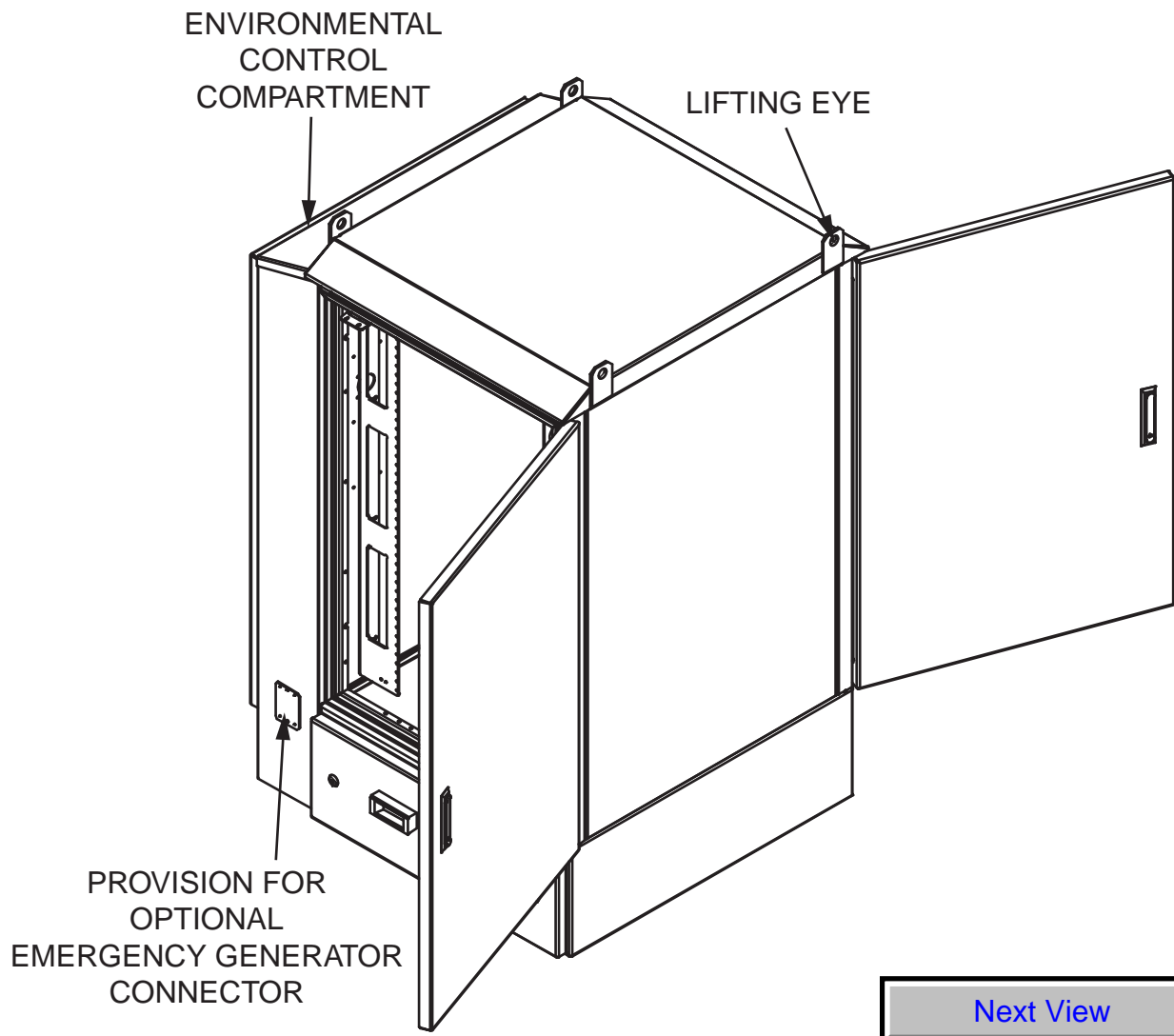
As an example, a cabinet equipped with a NID box, a -48 VDC Heat Exchanger, the AC power option, and Battery Heater, would be specified as follows:

Purchase order line item one: 2155140095, 7060 Series OSP Cabinet, equipped with
2163120095, NID Box,
2156890095, Heat Exchanger,
2156230095, 115 VAC Power Option,
2157540095, Battery Heater.

ORDERING NUMBER: 2155140095

OUTSIDE PLANT CABINET, 7060 SERIES

FIG. 007060



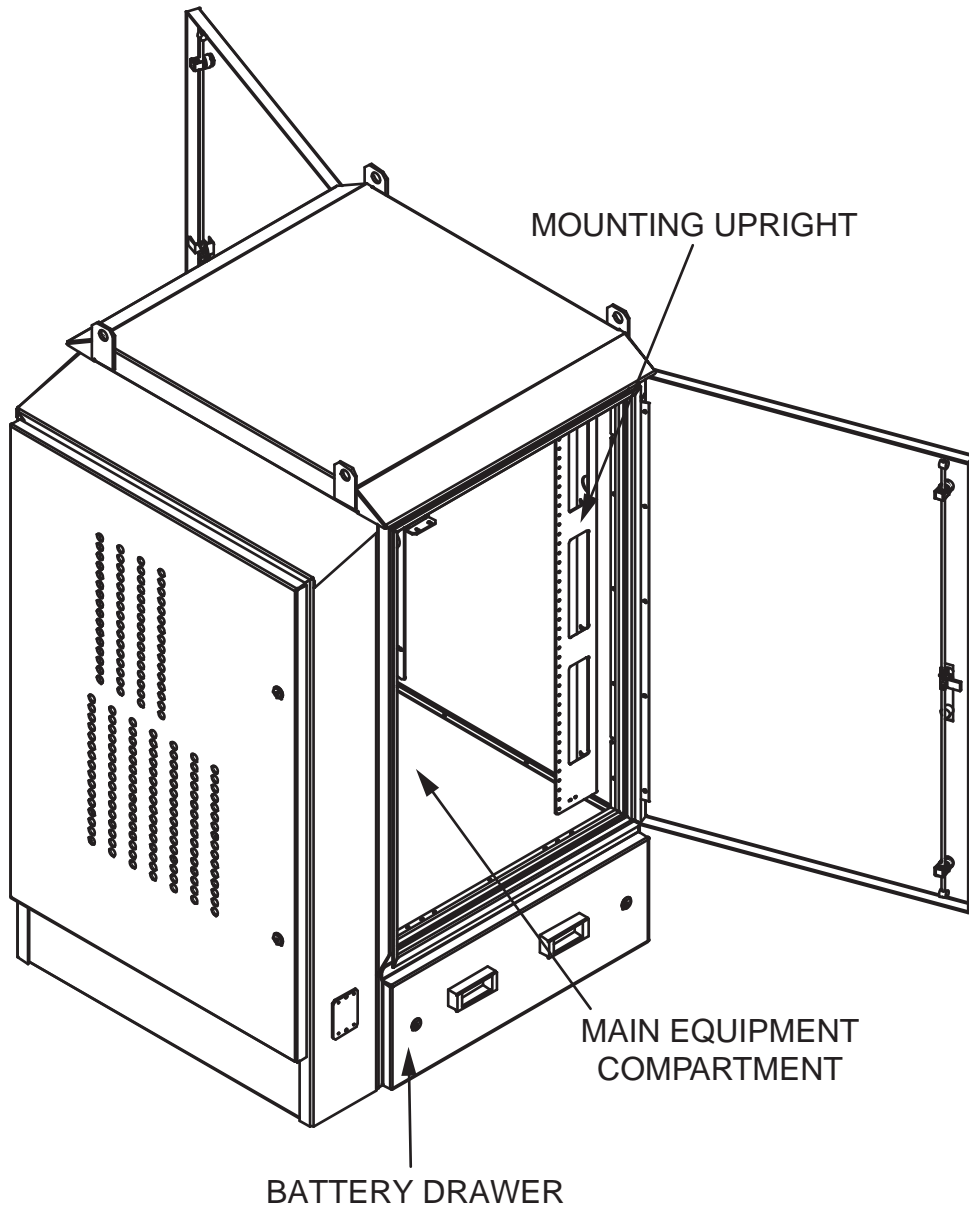
NOTES:

- 1. SHOWN WITH FIXED MOUNTING UPRIGHT. REFER TO FIG. 214932 FOR SWING-OUT RACK OPTION.

OUTSIDE PLANT CABINET, 7100 SERIES

ORDERING NUMBER: 2148700095

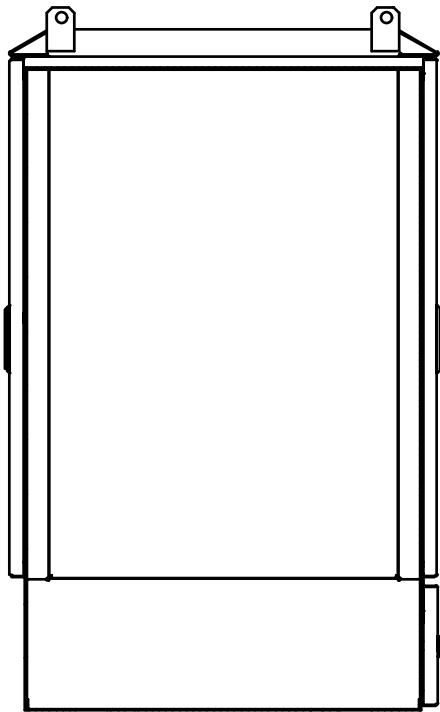
FIG. 007100



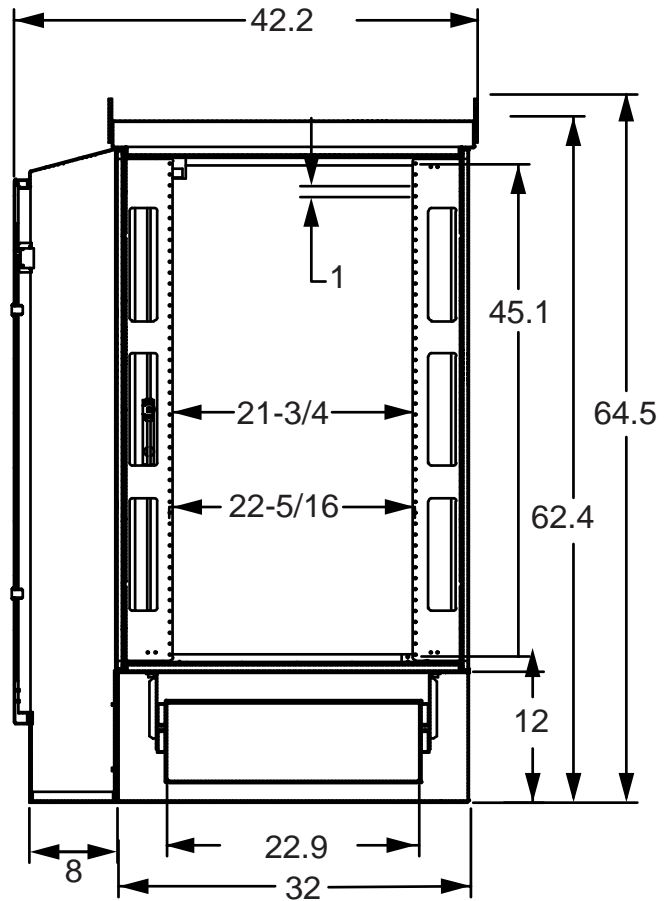
ORDERING NUMBER: 2148700095

OUTSIDE PLANT CABINET, 7100 SERIES

FIG. 007100



SIDE VIEW



FRONT VIEW

OUTSIDE PLANT CABINET, 7100 SERIES

ORDERING NUMBER: 2148700095

FIG. 007100

NOTES:

1. Houses and protects electronic and fiber optic equipment, associated components, and cabling from the environment and unauthorized access.
2. Designed to meet the applicable portions of Bellcore GR-487-CORE, entitled "Generic Requirements for Electronic Equipment Cabinets."
3. Outside dimensions (nominal): 42" W x 39" D x 64.5" H; approximately 480 pounds (w/o batteries and options).
4. Fabricated from 1/8" aluminum alloy (5052-H32), welded construction. Autumn White painted finish (interior and exterior); others available on request.
5. Designed for pad mounting via optional Mounting Template.
6. Lockable access to three separate compartments:
Main Equipment (front and rear doors), approximately 35 cu. ft.; meets NEMA 4X.
Left-side (Environmental Control / cable entry / cross-connect / protection); meets NEMA 4X. Standby Battery; meets NEMA 3R.
7. Main Equipment Compartment:
Provision for one or two equipment racks; fixed or swing-out types available.
Each rack provides 40" of vertical mounting space, 23" width; 500 pound capacity;
EIA Universal hole pattern (5/8" - 5-8" - 1/2"); 12-24 tapped, front and rear.
Approximately 90° rotation for swing-out rack; rack locks in closed or open position.
8. Environmental control:
Main Equipment and left-side compartments are sealed from the outside environment (normal operation).
Optional Air Conditioner (Fig. 215031), 115 VAC, 1800 BTU/hr. rating.
Optional Air-to-Air Heat Exchanger (Fig. 215035), dual-fan, for up to 500 Watt internal heat load.
9. Cross-connect / Protection provision:
Left-side compartment includes provision for cable entry and area for mounting a variety of cable termination, cross-connect, and/or VF/HF protection devices (solid state or gas tube).
10. Standby Battery provision:
Pull-out, lockable, vented drawer; 450 pound capacity (650 pound capacity optional).
Houses user-provided batteries (Johnson Control TEL-12-30, Hawker HB-30, or equivalent physical sized battery).

ORDERING NUMBER: 2148700095

OUTSIDE PLANT CABINET, 7100 SERIES

FIG. 007100

FIGURE 7100 ORDERING INFORMATION

A. GENERAL

The 7100 Series Outside Plant (OSP) Cabinet is modular in design, allowing the user to select from a variety of options. The basic cabinet, Ordering Number **2147800095**, includes the following:

1. Two sets of Fixed Mounting Uprights, 1" Hole pattern, 23" mounting width.
2. Door alarm switches (not wired); provides contact closure when door is opened.
3. Provision for Emergency Generator Connector (Hubbell 2715 type).
4. Ground strip.
5. Standard Battery Drawer.

B. USER-SPECIFIED OPTIONS

The following options are user-selected and are added to (or replace) the cabinet items described in item A (above) prior to shipment of the OSP cabinet assembly. Refer to the example in item C.

1. **Swing-out 23" Equipment Rack** (two); refer to Fig. 214392 for details. When selected, this option replaces the two Fixed Racks described in item A1. Include Ordering number **2149320010** to specify this feature.
2. **Air Conditioner**, 1800 BTU/hour rating; refer to Fig. 215031 for details. Selected when the temperature inside the cabinet's Main Compartment is to be conditioned to be at or below the maximum outdoor (external) temperature. Include Ordering Number **2150310095** to specify this feature.
3. **Heat Exchanger**, 115 VAC; refer to Fig. 215035 for details. Selected when the temperature inside the cabinet's Main Compartment requires conditioning, but can be approximately 5 degrees F (or more) above the maximum outdoor (external) temperature. Include Ordering Number **2150350095** to specify this feature.
4. **Side Panel, 7100**. Included in the Environmental Control Compartment when neither an Air Conditioner (item B2) or Heat Exchanger (item B3) is selected. Order when required. Include Ordering Number **2163380095** to specify this feature.
5. **115 VAC Wiring Kit, 7100**; refer to Fig. 215037 for details. Recommended when either an Air Conditioner (item B2) or Heat Exchanger (item B3) is selected, unless other user-provided 115 VAC wiring is provided; optional when a Side Panel (item B4) is included. Include Ordering Number **2150370000** to specify this feature.

ORDERING NUMBER: 2148700095

OUTSIDE PLANT CABINET, 7100 SERIES

FIG. 007100

6. **Interior Lighting Kit, 7100**; refer to Fig. 215061 for details. Ordered when required. Item B5 is recommended when this item is specified, unless user-provided 115 VAC wiring is to be used. Include Ordering Number **2150610095** to specify this feature.
7. **Emergency Generator Connector Kit, 7100**: Order when required; provides a prewired Hubbell 2715 type Connector with a Weatherproof Cover, mounted in an outlet box with wiring for customer connection to customer-provided equipment. Include Ordering Number **2163390000** to specify this feature.
8. **Battery Heater Kit, 7100**: Order when required; provides a thermostatically controlled Battery Heater. Order one Battery Heater for each set of four customer-provided batteries. Include Ordering Number **216340095** to specify this feature.
9. **Heavy-duty Battery Drawer**: Order when required; specify the Heavy-duty Battery Drawer if the total weight of batteries to be installed exceeds 450 pounds; maximum capacity of the Heavy-duty Battery Drawer is 650 pounds. Include Ordering Number **2163410095** to specify this feature.
10. **Mounting Template, 7100**; refer to Fig. 215023. Embedded into the pad when the concrete is poured. This item can be ordered with an earlier shipment date than the OSP cabinet to allow its installation prior to arrival of the cabinet. Specify Ordering Number **2150230010**; it is recommended that this item be included as a separate purchase order line item when ordering.
11. Hole patterns available for Equipment Racks (Fixed or Swing-out); specify by type when required:
 - a. 1: (telco)
 - b. EIA Standard (1-1/4" - 1/2")
 - c. EIA Universal (5/8" - 5/8" - 1/2")
 - d. M5 (metric)
 - e. M6 (metric)
12. For other user-required options not listed, please call or fax your Newton Customer Service Representative.

ORDERING NUMBER: 2148700095

OUTSIDE PLANT CABINET, 7100 SERIES

FIG. 007100

C. EXAMPLE

As an example, one cabinet equipped with two swing-out racks, an 1800 BTU Air Conditioner, 115 VAC Wiring, and Battery Heaters for two sets of four batteries, would be ordered as follows; the Mounting Template is shown as a separate line item.

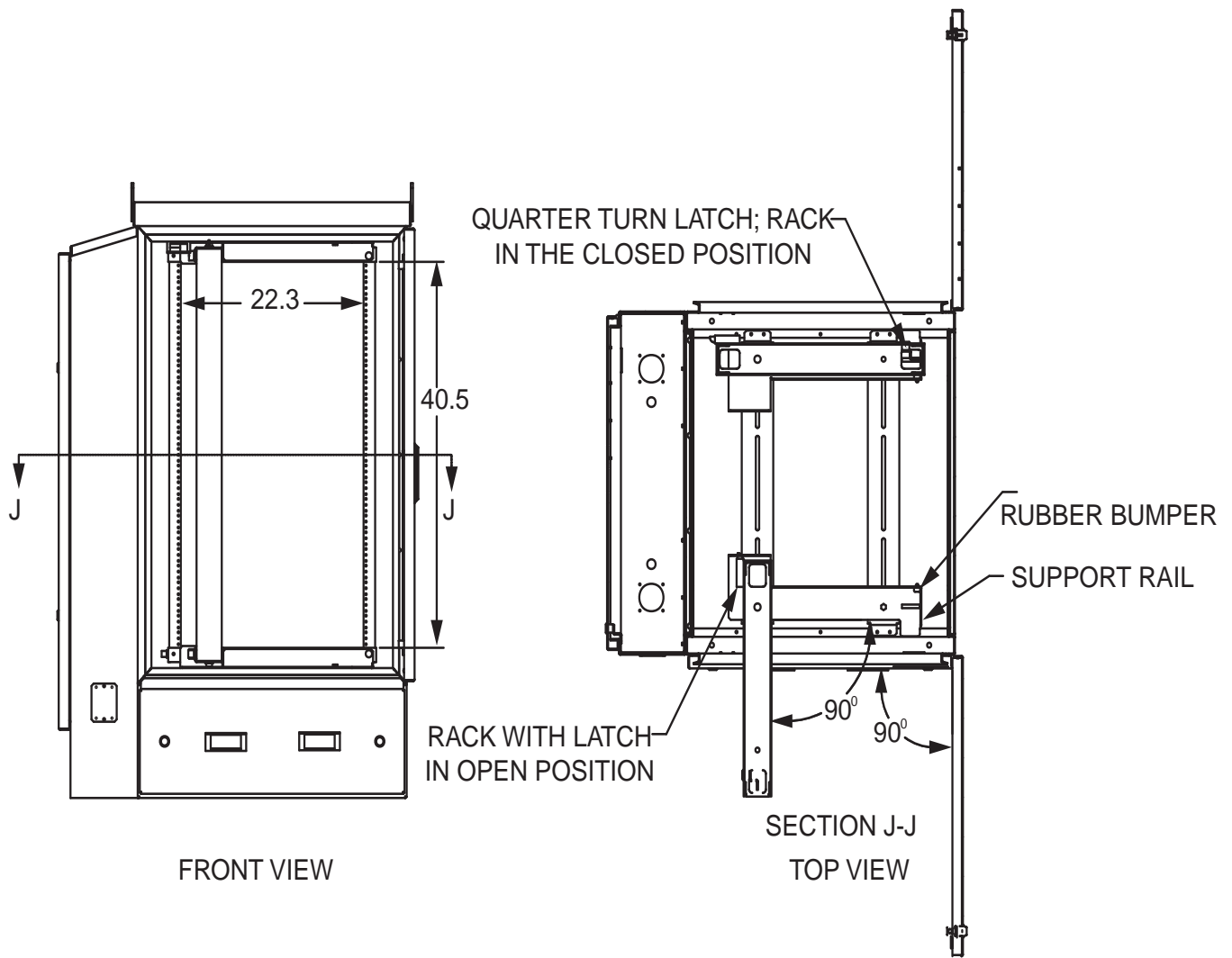
Purchase order line item one: 2148700095, 7100 Series OSP Cabinet, equipped with
2149320010, Swing-out racks,
2150310095, Air conditioner,
2150370000, 115 VAC Wiring,
2163400000, Battery Heater, quantity of 2.

Purchase order line item two: 2150230010, Mounting Template
(to be shipped 10 days in advance of cabinet).

ORDERING NUMBER: 2148700095

OUTSIDE PLANT CABINET, 7100 SERIES

FIG. 007100



NOTES:

1. EACH SWING-OUT RACK PROVIDES 40" OF VERTICAL MOUNTING SPACE, 23" EQUIPMENT MOUNTING WIDTH, EIA UNIVERSAL HOLE PATTERN (5/8" - 5/8" - 1/2"), DOUBLE SIDE DRILLED AND TAPPED FOR 12-24 MOUNTING SCREWS (SCREWS ARE NOT INCLUDED).

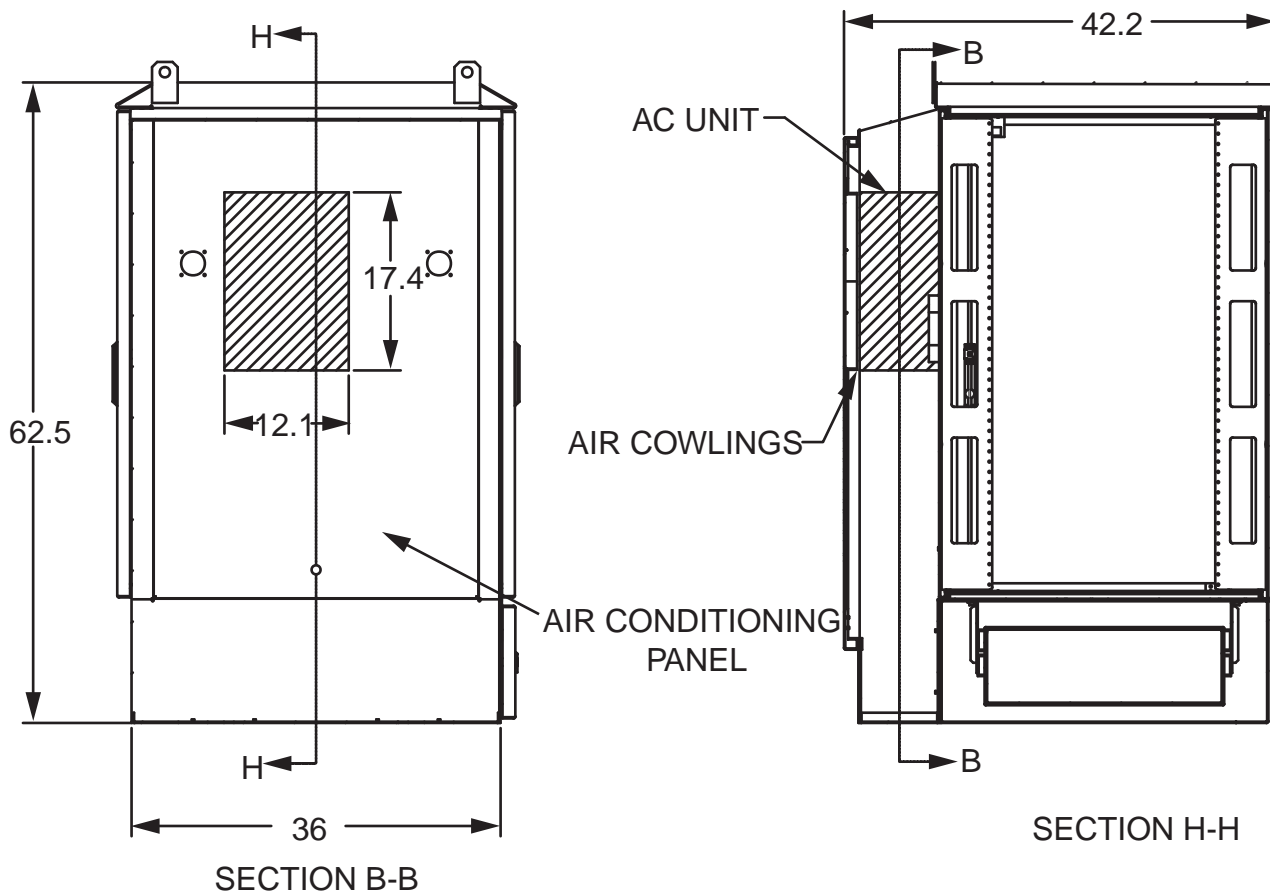
ORDERING NUMBER: 2149320010

SWING-OUT EQUIPMENT RACK OPTION FOR 7100

FIG. 214932

NOTES:

- 1. AIR CONDITIONING UNIT: 115 VAC, 50/60 HZ, SINGLE PHASE, 1800 BTU/HR RATING.



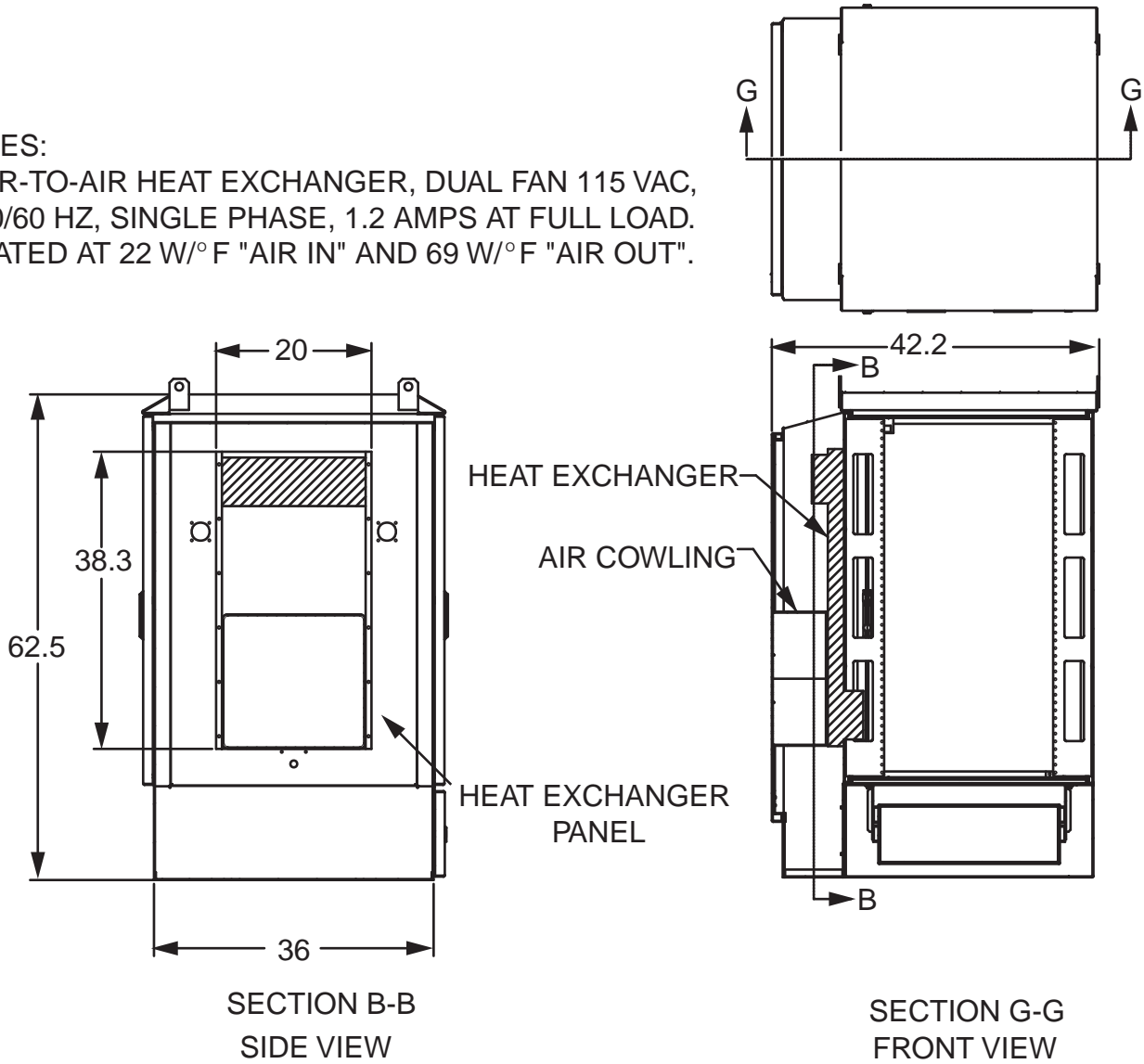
ORDERING NUMBER: 2150310095

FIG. 215031

AIR CONDITIONING OPTION FOR 7100

NOTES:

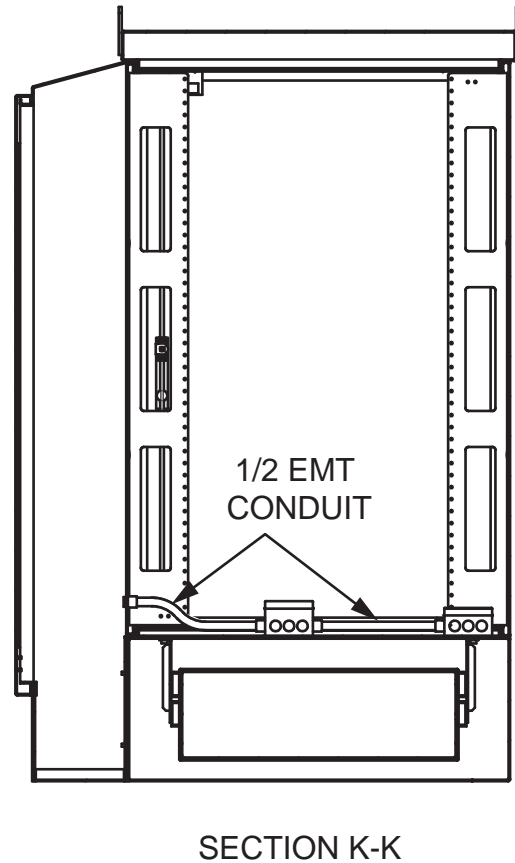
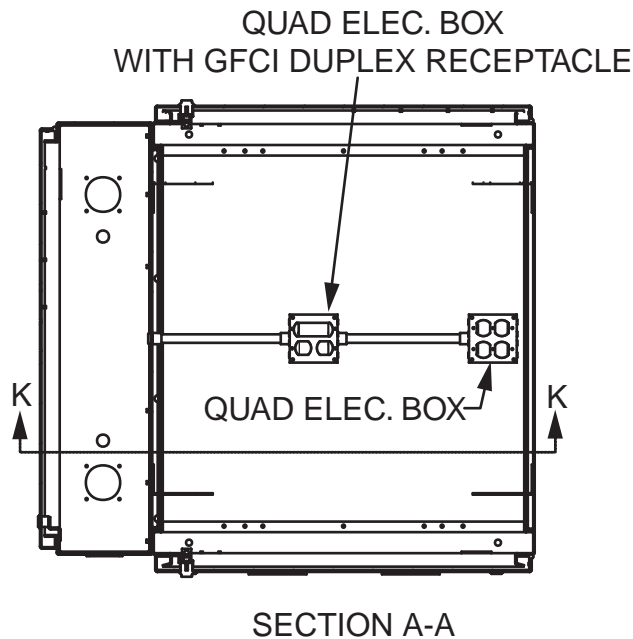
1. AIR-TO-AIR HEAT EXCHANGER, DUAL FAN 115 VAC, 50/60 HZ, SINGLE PHASE, 1.2 AMPS AT FULL LOAD. RATED AT 22 W/° F "AIR IN" AND 69 W/° F "AIR OUT".



HEAT EXCHANGER OPTION FOR 7100

ORDERING NUMBER: 2150350095

FIG. 215035



NOTES:

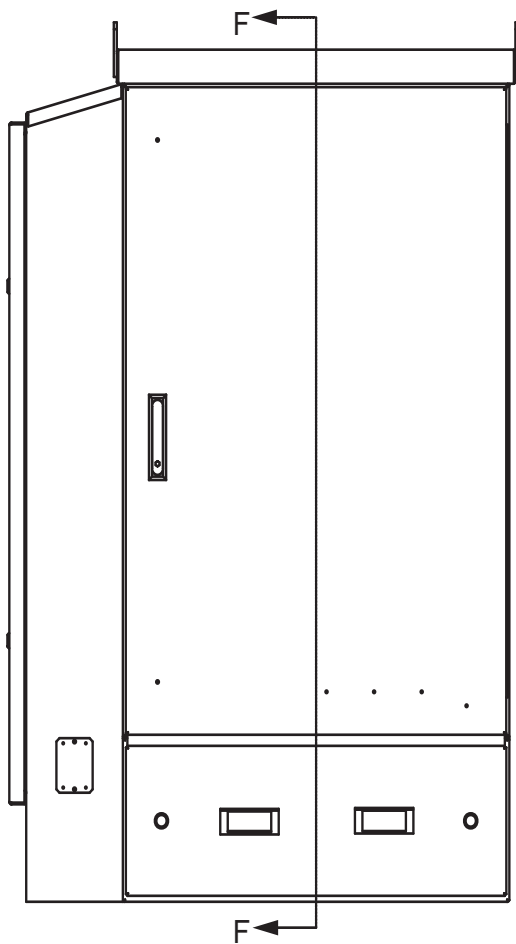
1. THIS OPTION PROVIDES FOUR RECEPTACLES TOTAL; TWO 115 VAC, 15 AMP, STANDARD DUPLEX RECEPTACLES ARE IN ONE QUAD ELECTRICAL BOX, WITH A SECOND QUAD ELECTRICAL WITH ONE 115 VAC, 15 AMP GFCI TYPE DUPLEX RECEPTACLE WIRED TO A 15 AMP STANDARD DUPLEX RECEPTACLE.
2. WIRING FROM THE RECEPTACLES IS PROVIDED TO THE LEFT SIDE COMPARTMENT FOR CUSTOMER CONNECTION TO THE 115 VAC SOURCE (BREAKER OR EQUIVALENT).

ORDERING NUMBER: 2150370000

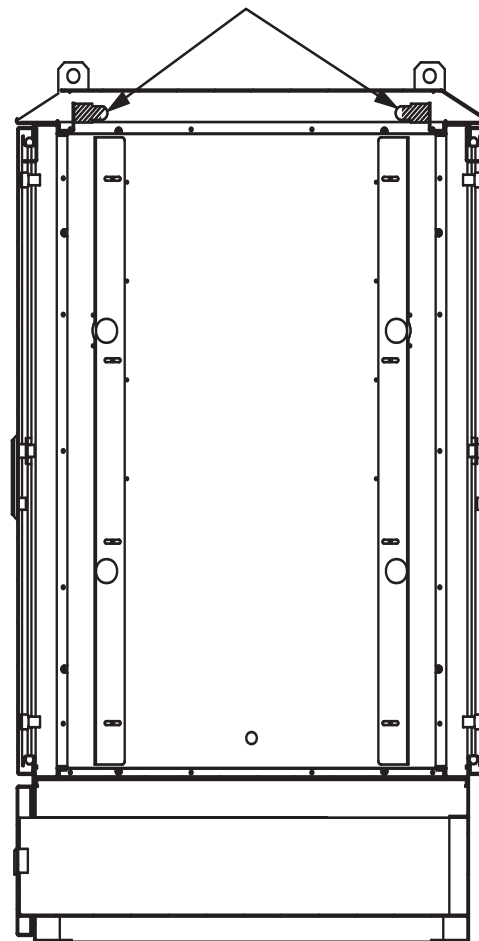
115 VAC WIRING OPTION FOR 7100

FIG. 215037

15 WATT FLUORESCENT LIGHTS WITH
6-1/2 FOOT PLUG-ENDED POWER CORD



FRONT VIEW



SECTION F-F
SIDE VIEW

NOTES:

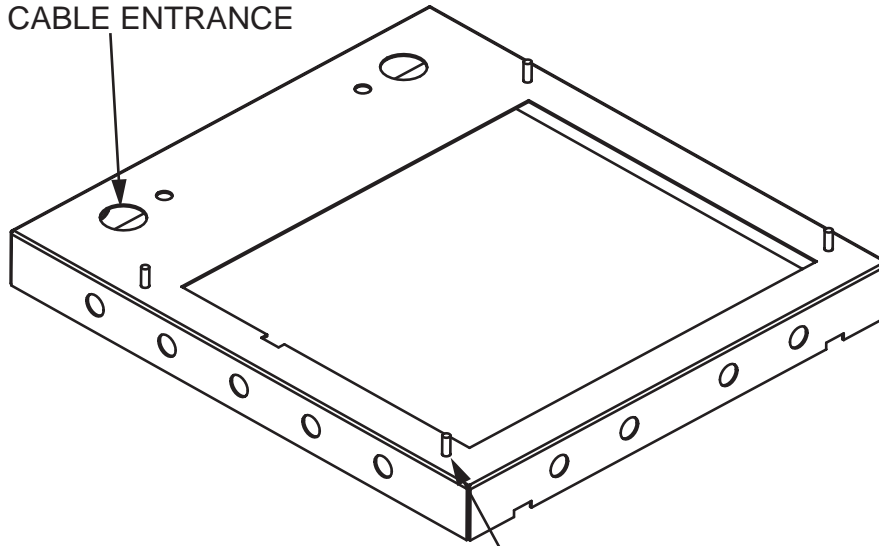
- 1. BULB IS INCLUDED.

ORDERING NUMBER: 2150610095

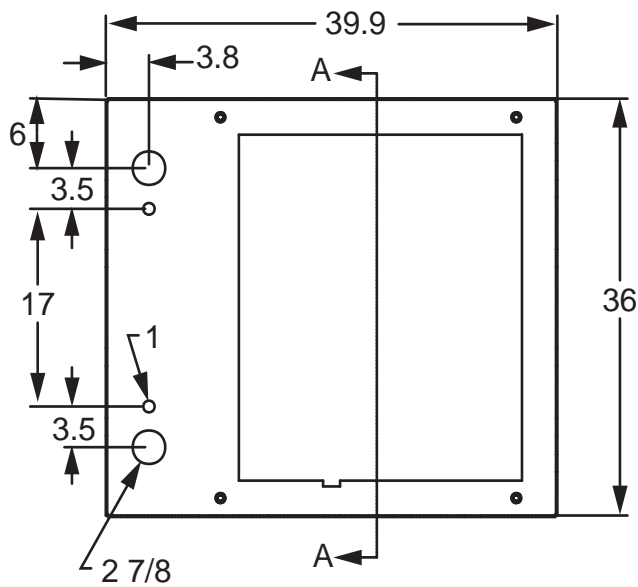
INTERIOR LIGHTING OPTION FOR 7100

FIG. 215061

CABLE ENTRANCE

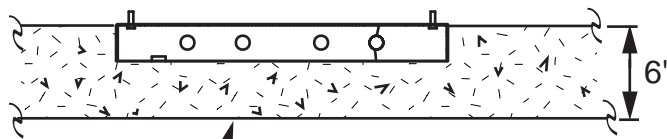
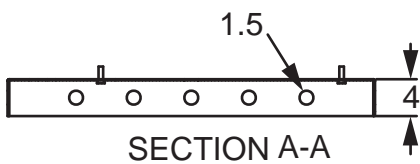


1/2"-13 X 1 STUD (NOTE 1)



NOTES:

1. INSTALL MOUNTING TEMPLATE FLUSH WITH TOP OF CONCRETE PAD. PROTECT THE FOUR MOUNTING STUDS FROM DAMAGE DURING TEMPLATE INSTALLATION.
2. REINFORCEMENT BAR (REBAR) NOT SHOWN. INSTALL PER LOCAL REQUIREMENTS.
3. FOR USE WITH ORDERING NUMBER 2148700095 (OR EQUIVALENT).



CONCRETE
6" DEPTH TYPICAL (NOTE 2)

ORDERING NUMBER: 2150230010

MOUNTING TEMPLATE (NOTE 3)

FIG. 215023